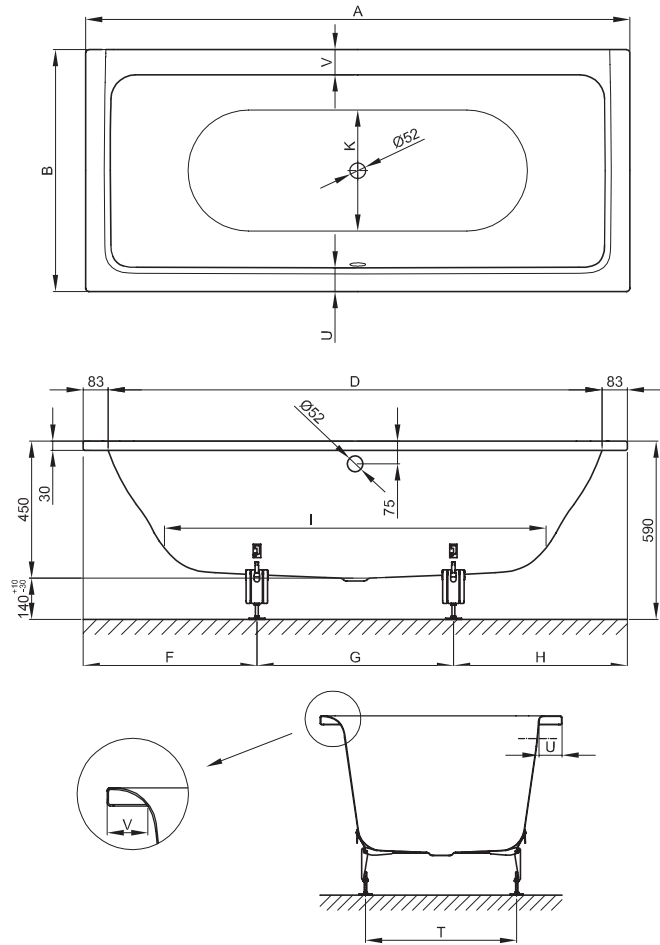


BETTEFREE



Zeichnung 170 x 75 cm

| Abmessung | A | B | D | F | G | H | I | K | T | U | V | Nutzinhalt |
|-------------------|------|------|------|-----|-----|-----|------|-----|-----|----|----|------------|
| 170 x 75 x 45 cm | 1700 | 750 | 1534 | 555 | 590 | 555 | 1160 | 485 | 430 | 80 | 85 | 150 Liter |
| 180 x 80 x 45 cm | 1800 | 800 | 1634 | 580 | 640 | 580 | 1260 | 535 | 480 | 80 | 85 | 180 Liter |
| 190 x 90 x 45 cm | 1900 | 900 | 1734 | 580 | 740 | 580 | 1360 | 635 | 580 | 80 | 85 | 210 Liter |
| 200 x 100 x 45 cm | 2000 | 1000 | 1834 | 625 | 750 | 625 | 1460 | 735 | 680 | 80 | 85 | 240 Liter |

Alle Angaben in mm